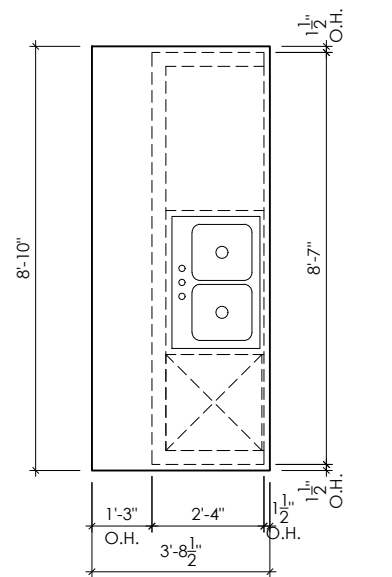
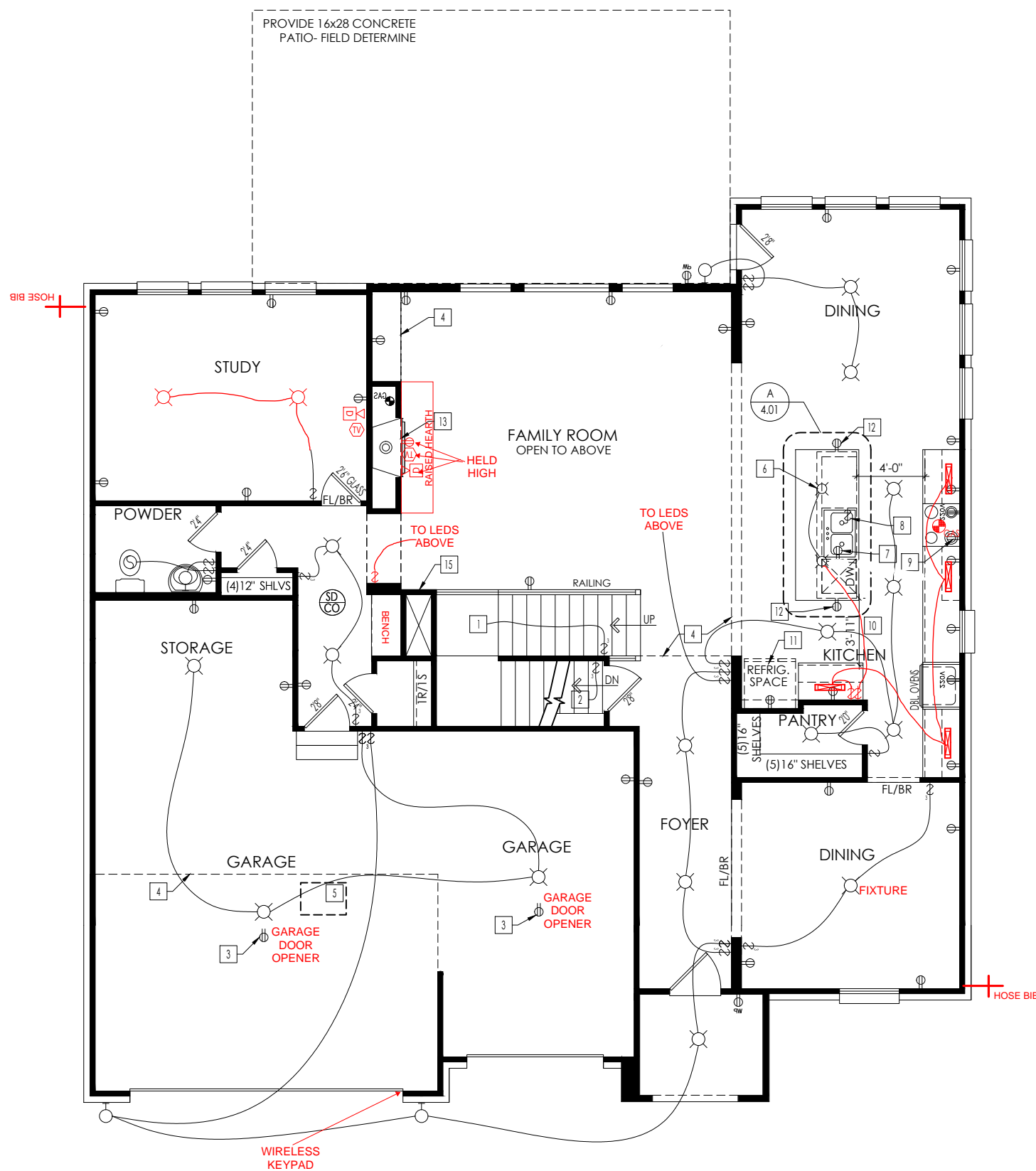


Mechanical Legend	
PHONE JACK	FLUORESCENT LIGHT
HOME OFFICE OUTLET	UNDER CABINET LIGHTING
DATA OUTLET	CLG. MOUNTED LIGHT FIXT.
PROJECTOR ROUGH-IN	WALL MOUNTED LIGHT FIXT.
ENTERTAINMENT CENTER OUTLET	SURFACE MOUNT DISC LIGHT OR RECESSED CEILING LIGHT, PER SPECS.
WALL OUTLET	DOUBLE SPOTLIGHT FIXT.
WEATHERPROOF OUTLET	DIRECTIONAL CAN LIGHT
220 OUTLET	PIN LIGHT
GROUND FAULT OUTLET	WALL SCONCE @ 5'-6" A.F.F.
FLOOR OUTLET	STAIR LIGHT
CABLE TELEVISION JACK	CLG. MTD. EXHAUST FAN
SINGLE POLE SWITCH	WALL MTD. EXHAUST FAN
3-WAY SWITCH	SMOKE DETECTOR
4-WAY SWITCH	HOSE BIB
BLOCK, MOUNT, & SWITCH FOR FUTURE FAN/LIGHT COMBINATION (CENTER, UNLESS OTHERWISE NOTED)	SHOWER HEAD
EXHAUST FAN AND LIGHT COMBINATION	GAS HOOK UP
FLOOR DRAIN	CO DETECTOR
	SMOKE DETECTOR/CO DETECTOR COMBINATION



ISLAND COUNTERTOP DTL. A 4.01
SCALE: 1/4" = 1'-0"



General Notes

- REFER TO SHEET ON.1 FOR GENERAL NOTES.

Key Notes

- TO SWITCH OR LIGHT ABOVE.
- TO SWITCH OR LIGHT BELOW.
- OUTLET IN CEILING.
- OUTLINE OF SECOND FLOOR ABOVE.
- 22-1/2"x 32" ATTIC ACCESS PANEL, HOLD MINIMUM 9'-6" BACK FROM GARAGE DOOR.
- (2) PENDANT LIGHTS OVER KITCHEN ISLAND WITH SWITCH
- OUTLET IN SINK CABINET FOR DISHWASHER DISCONNECT
- GARBAGE DISPOSAL SWITCH INSIDE KITCHEN ISLAND BASE CABINET
- OUTLET FOR VENTHOOD/MICROWAVE HELD HIGH- VENT TO EXTERIOR
- REFER TO JOBDOC ON DREESBUILD FOR FINAL KITCHEN CABINET LAYOUT
- PROVIDE 3'-3" MIN. FOR CABINET ABOVE REFRIGERATOR SPACE.
- HOLD OUTLET HIGH
- DIRECT VENT FIREPLACE - REFER TO SELECTION SHEET FOR MODEL AND FIREPLACE DETAIL SHEET F-1 FOR FRAMING INFORMATION
-
- HVAC CHASE
-
-
-
-
-

RESIDENCE FOR:
MARKET
942 TRAEMORE PLACE
TRAEMORE OVERLOOK

Job Number: TRE-0073-00	Drawing Date: 1/25/21	Coord Name: M. HYATT	Coord Phone: 859.578.4290
----------------------------	--------------------------	-------------------------	------------------------------

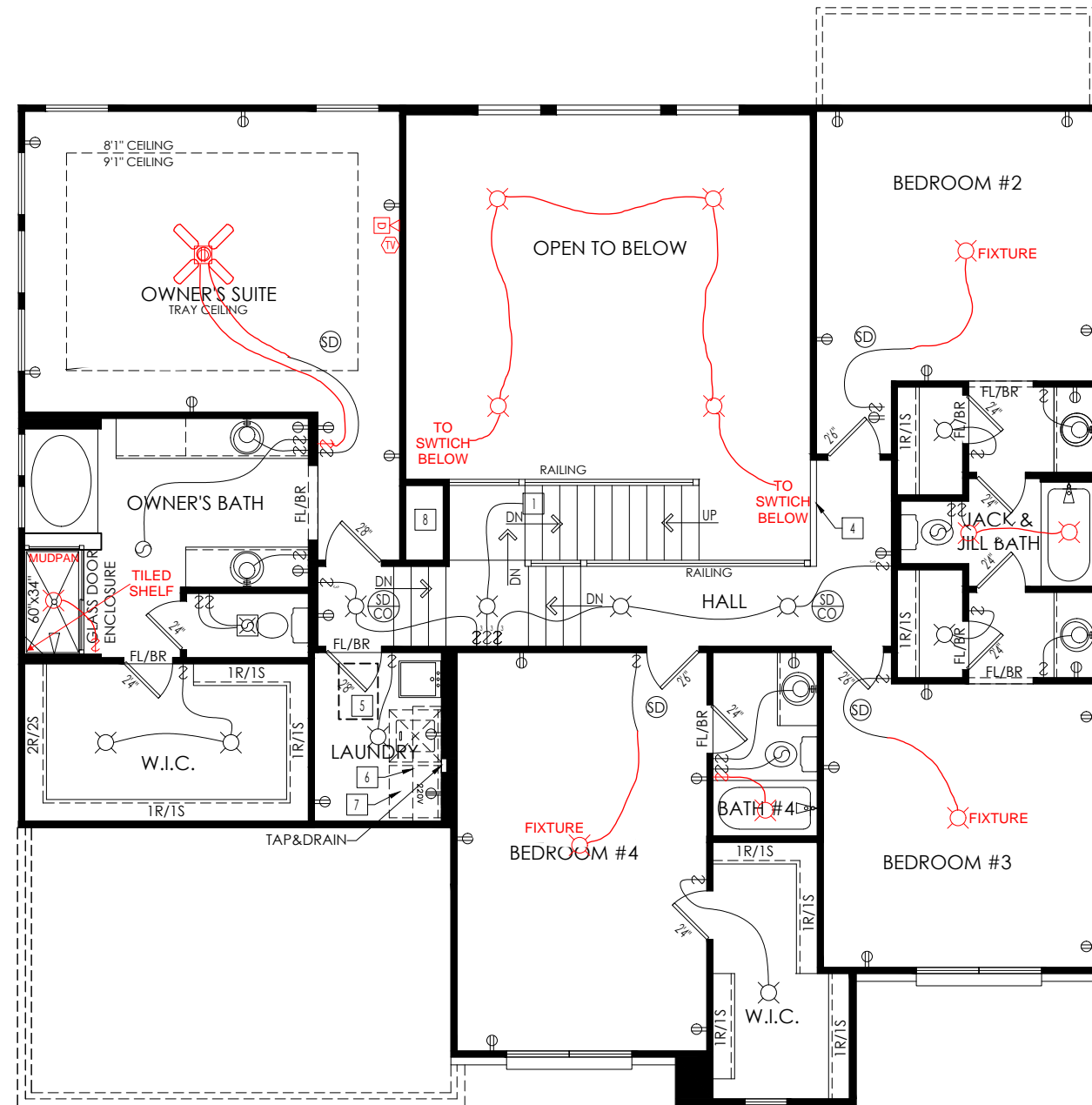
House Name: the BENNETT	Drawing Scale: 1/8" = 1'-0"	Series: SERIES II
		Plan No.:

Copyright © 2017, [2017] The Drees Company. All Rights Reserved.
211 GRANDVIEW DRIVE, FORT MITCHELL, KY 41017
PHONE: [859] 578-4200

Sheet Information

4.01

1ST FLOOR MECHANICAL PLAN
ELEVATION "F"



General Notes

1. REFER TO SHEET ON.1 FOR GENERAL NOTES.

Key Notes

- 1 TO LIGHT OR SWITCH BELOW
- 2 -
- 3 -
- 4 3/6" HALF WALL WITH WOOD CAP, ATOP OF LVL FLUSH BOTTOM BEAM, PER SPECIFICATION MANUAL.
- 5 22-1/2" x 32" ATTIC ACCESS.
- 6 16" DEEP SHELF AT 5'-7" A.F.F.
- 7 LOCATE WASHER TO THE LEFT OF THE DRYER.
- 8 HVAC CHASE
- 9 -
- 10 -
- 11 -
- 12 -
- 13 -

Mechanical Legend

<ul style="list-style-type: none"> ◀ PHONE JACK ▲ HOME OFFICE OUTLET D DATA OUTLET P PROJECTOR ROUGH-IN ⬆ ENTERTAINMENT CENTER OUTLET ⊖ WALL OUTLET ⊖ WEATHERPROOF OUTLET ⊖ 220 OUTLET ⊖ GROUND FAULT OUTLET ⊖ FLOOR OUTLET ⊖ CABLE TELEVISION JACK ⊖ SINGLE POLE SWITCH ⊖ 3-WAY SWITCH ⊖ 4-WAY SWITCH ⊖ BLOCK, MOUNT, & SWITCH FOR FUTURE FAN/LIGHT COMBINATION (CENTER, UNLESS OTHERWISE NOTED) ⊖ EXHAUST FAN AND LIGHT COMBINATION ⊖ FLOOR DRAIN 	<ul style="list-style-type: none"> ○ FLUORESCENT LIGHT — UNDER CABINET LIGHTING ⊖ CLG. MOUNTED LIGHT FIXT. ⊖ WALL MOUNTED LIGHT FIXT. ○ SURFACE MOUNT DISC LIGHT OR RECESSED CEILING LIGHT, PER SPECS. ⊖ DOUBLE SPOTLIGHT FIXT. ⊖ DIRECTIONAL CAN LIGHT ⊖ PIN LIGHT ⊖ WALL SCONCE @ 5'-6" A.F.F. ⊖ STAIR LIGHT ⊖ CLG. INTD. EXHAUST FAN ⊖ WALL INTD. EXHAUST FAN ⊖ SMOKE DETECTOR ⊖ HOSE BIB ⊖ SHOWER HEAD ⊖ GAS GAS HOOK UP ⊖ CO DETECTOR ⊖ SMOKE DETECTOR/CO DETECTOR COMBINATION
--	---

RESIDENCE FOR:

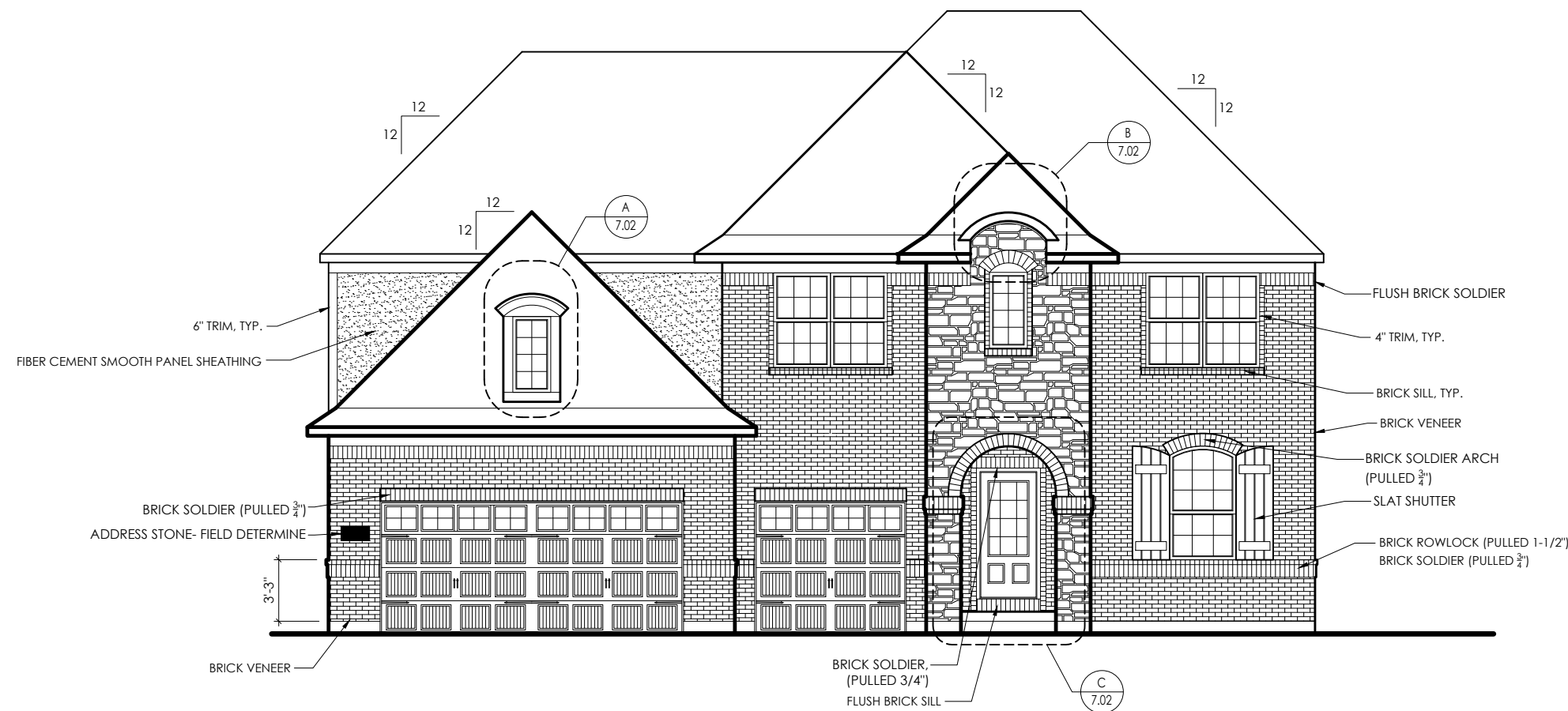
MARKET

942 TRAEMORE PLACE

TRAEMORE OVERLOOK

Job Number: TRE-0073-00	Drawing Date: 1/25/21	Coord Name: M. HYATT	Coord Phone: 859.578.4290
House Name: the BENNETT		Drawing Scale: 1/8" = 1'-0"	
		Series: SERIES II	
		Plan No.:	

<p>Drees HOMESSM</p> <p><small>Copyright © 2017, (2017) The Drees Company, All Rights Reserved. 211 GRANDVIEW DRIVE, FORT MITCHELL, KY 41017 PHONE: (859) 578-4200</small></p>	<p>Sheet Information</p> <p style="font-size: 2em; font-weight: bold;">4.02</p> <p>2ND FLOOR MECHANICAL PLAN ELEVATION "F"</p>
--	--



FRONT ELEVATION

SCALE: 1/8" = 1'-0"

TYPICAL TRIM:
6" FASCIA (ALL SIDES)
8" FRIEZE (ALL SIDES, UNLESS OTHERWISE NOTED)

General Notes

- REFER TO SHEET 0N.1 FOR GENERAL NOTES.
- REFER TO SELECTIONS/SPECIFICATIONS FOR ROOFING MATERIAL.

Key Notes

- 1 -
- 2 -
- 3 -
- 4 -
- 5 -
- 6 -
- 7 -
- 8 -
- 9 -
- 10 -
- 11 -
- 12 -
- 13 -
- 14 -
- 15 -
- 16 -
- 17 -
- 18 -
- 19 -
- 20 -

BRICK VENEER LINTEL SCHEDULE

SPAN	STEEL ANGLE SIZE	HEIGHT OF VENEER ABOVE LINTEL
Up to 3'-6"	L3-1/2 x3-1/2 x1/4	20 FT. MAX
Up to 6'-0"	L5x 3-1/2x 5/16 (LLV)	20 FT. MAX
Up to 8'-0"	L6x 3-1/2x 3/8 (LLV)	20 FT. MAX
9'-0"	L7x 4x 3/8 (LLV)	12 FT. MAX
*16'-0"	L7x 4x 3/8 (LLV)	3 FT. MAX
*16'-0"	L8x 4x 1/2 (LLV)	4-1/2 FT. MAX

ALL LINTELS <=6' SHALL HAVE 4" MINIMUM BEARING AT EACH END.
 ALL LINTELS >=6' SHALL HAVE 8" MINIMUM BEARING AT EACH END.
 * FASTENED TO HDR @ 1/3 SPAN POINTS THRU 1-1/2" LONG VERTICALLY SLOTTED HOLES IN LINTEL w/ 1/2" DIA. x 3-1/2" LONG LAG SCREWS. LOCATE LAG SCREWS @ MIDDLE OF SLOTTED HOLE & TIGHTEN SCREWS ENOUGH TO ALLOW MOVEMENT OF LINTEL.
 ***ANY LINTEL CONDITION NOT SPECIFIED ABOVE SHALL BE DESIGNED

RESIDENCE FOR:
MARKET
 942 TRAEMORE PLACE
 TRAEMORE OVERLOOK

Job Number: TRE-0073-00	Drawing Date: 1/25/21	Coord Name: M. HYATT	Coord Phone: 859.578.4290
----------------------------	--------------------------	-------------------------	------------------------------

House Name: the BENNETT	Drawing Scale: 1/8" = 1'-0"	Series: SERIES II
		Plan No.:

<p>Copyright © 2017, (2017) The Drees Company. All Rights Reserved. 211 GRANDVIEW DRIVE, FORT MITCHELL, KY 41017 PHONE: (859) 578-4200</p>	<p>Sheet Information</p>	<p>6.01 FRONT & REAR ELEVATIONS ELEVATION "F"</p>